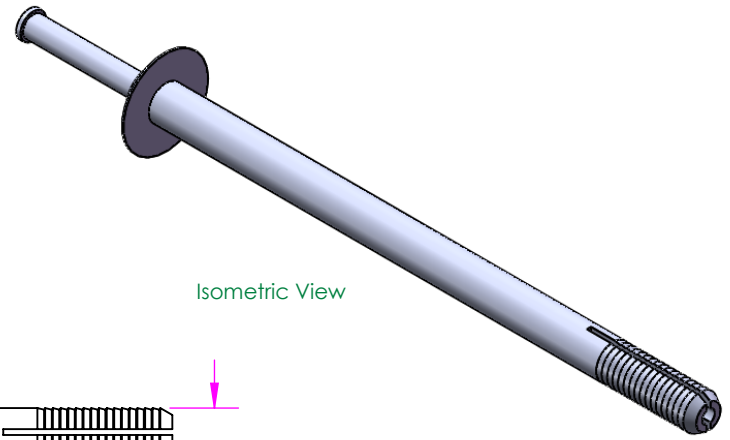


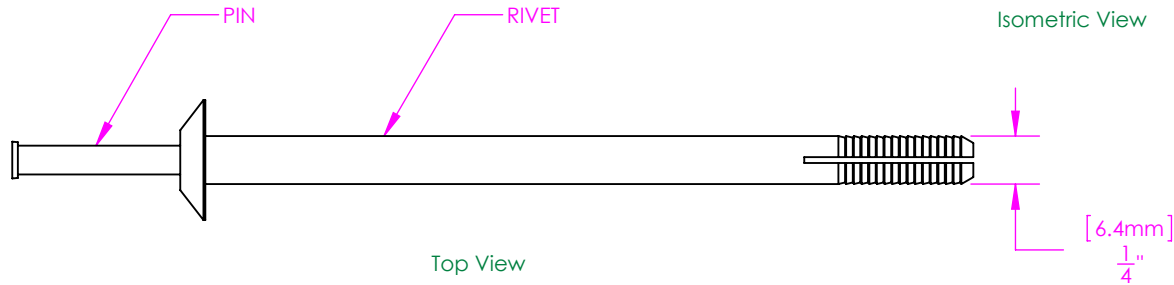
DATE	DRAWN	CHKD	SHEET	SCALE	DRAWING NUMBER
05-25-85	-	-	A	1:1	H-30-20-541-30

NOTE - MATERIAL AND FINISH
 RIVET - NYLON, OPAQUE WHITE
 PIN - THERMOPLASTIC, OPAQUE WHITE
 GRIP RANGE: 3-5/16" TO 3-7/8"

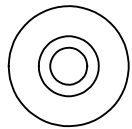
UNCONTROLLED



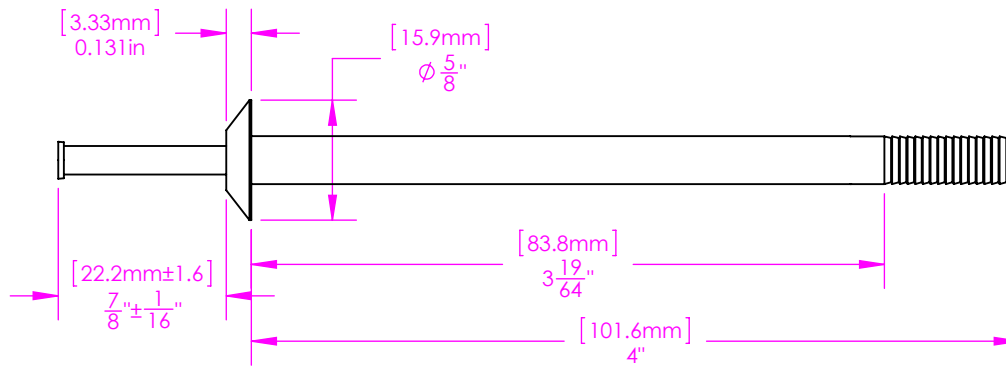
Isometric View



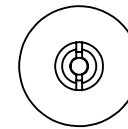
Top View



Left View



Front View



Right View